




# AEA NODE

Remote Access Gateway

powered by: Alpha Epsilon Automation

## AEA-NODE FOR INDUSTRIAL

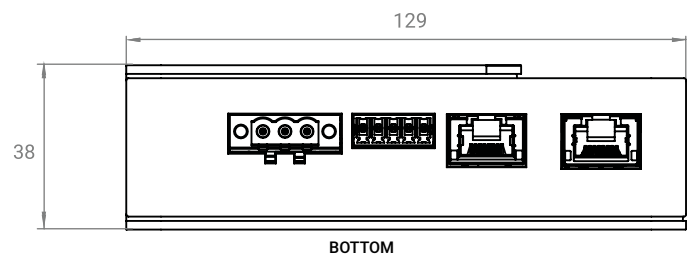
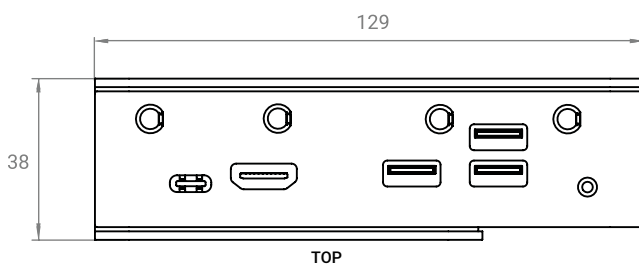
At the heart of the AEA-Node is a Quad-Core ARM Cortex-A72 64-bit SoC. System built with 8 GB of RAM, 32 GB of onboard eMMC storage and an M.2 SATA drive with 128GB to create a palm-sized IPC and industrial controller.

## ENGINEERED FOR RELIABILITY

Fanless, solid state construction, an operating temperature range of -20° to 60°C, wide input power range, power over ethernet power delivery, and industrial components with long lifecycles make the AEA-Node ideal industrial deployment platform.

## INDUSTRY I/O

The custom carrier board inside Factor 201 gives you dual 1 GbE LAN ports, 1x RS-232/422/485 terminal block connector, 1x USB 3.2 port, 2x USB 2.0 ports, 1x HDMI port, and 1 USB-C configuration port. Integrated DIN rail and wall mounting options let you install the AEA-Node anywhere you need it.





# AEA NODE

Remote Access Gateway

powered by: Alpha Epsilon Automation

System	
Processor	Broadcom BCM2711 Cortex-A72 (ARM v8)
Processor Cores	4
Processor Speed	1.5 GHz
Memory	Up to 8 GB LPDDR4 on CM4

Top I/O	
USB	2 USB 2.0 Ports 1 USB 3.2 Gen 1 Port USB-C Port (CM4 management)
Video	1 HDMI Port
Other	1 Reset Button

Bottom I/O	
Ethernet	2 1GbE LAN (Optional PoE PD Input)
Power	3-Pin Terminal Block Power Input (8~24 DC, 22W max)
Serial	1 RS-232/422/485 5-pin Terminal Block

Expansion & Features	
Expansion & Storage	Up to 32GB eMMC on CM4 1 M.2 2280 B-key (SATA) 1 M.2 3042/3052 B-key (USB 3.0, USB 2.0)
Features	Optional 802.11ac 1x1 Wi-Fi with BT 5.1 on CM4 Optional PoE PD (up to 802.3at at 25.5W) TPM 2.0

Mechanical	
Dimensions (WxHxD)	102.5 x 129 x 38 mm 4.04 x 5.08 x 1.50 in
Mounting Options	DIN Rail (Edge or Back) Wall-mount (Edge or Back)

Environmental & Regulatory	
Operating Temperature	-20 ~ 60°C
Certifications	FCC 47 CFR Part 15 CE UL/ETL Listed configurations available CB scheme WEEE Directive (2002/96/EC) ErP Directive (2009/125/EC) Low Voltage Directive (2014/35/EU) Electromagnetic Compatibility Directive (2014/30/EU) Radio Equipment Directive (2014/53/EU) - For configurations with wireless transmitters RoHS 2 (2011/65/EU) RoHS 3 (2015/863/EU) REACH RCM VCCI-CISPR-32 EN 301 489-1 EN 301 489-17 EN 55032 EN 55035 EN 62368-1 IEC 62368-1 UL 62368-1

## Office

Phone: +1 571.248.9422 | Email: [service@alpha-epsilon-automation.com](mailto:service@alpha-epsilon-automation.com)

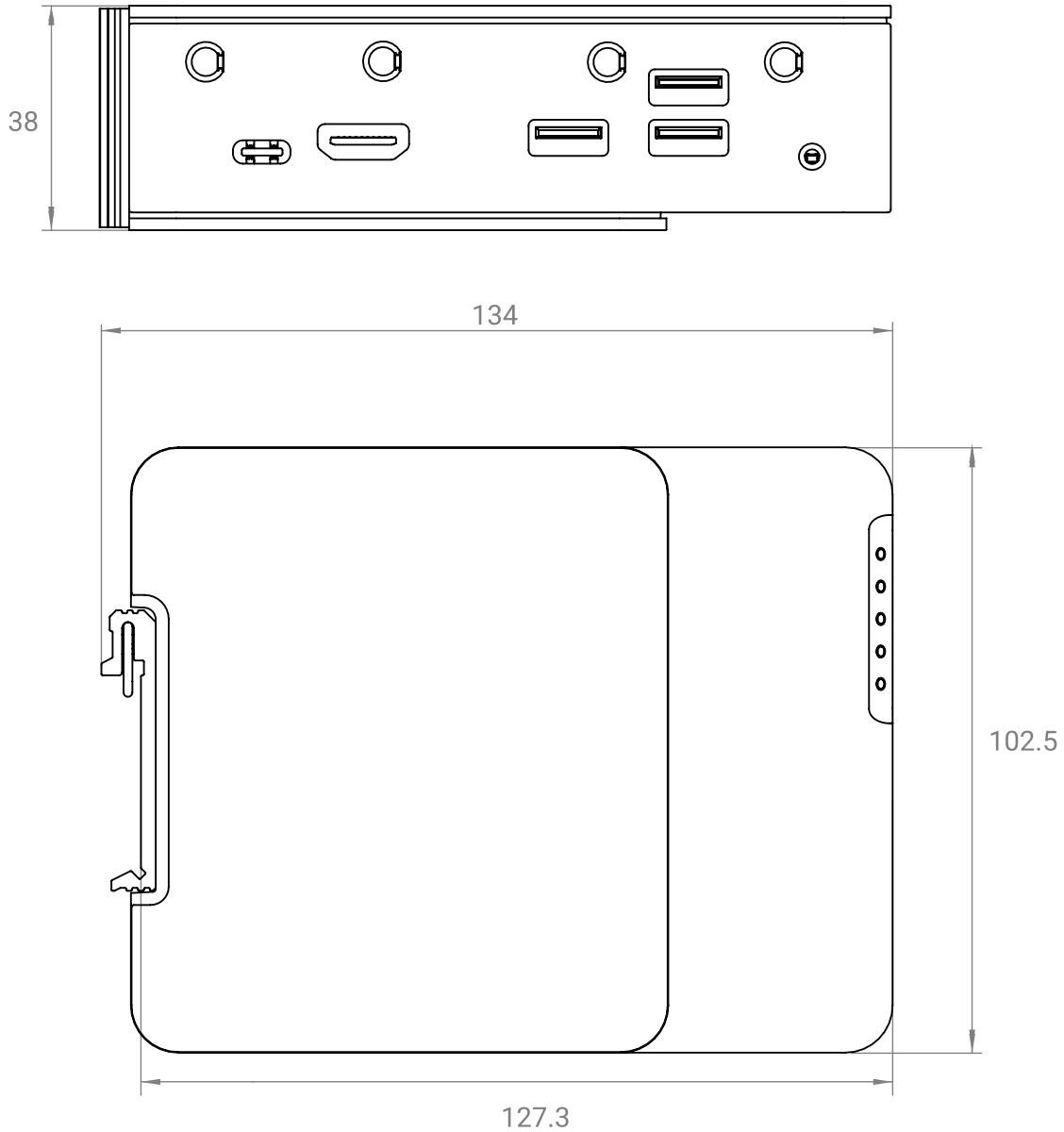




powered by: Alpha Epsilon Automation

## DIN Mount Dimensional Drawings

All measurements in mm



Office

Phone: +1 571.248.9422 | Email: [service@alpha-epsilon-automation.com](mailto:service@alpha-epsilon-automation.com)

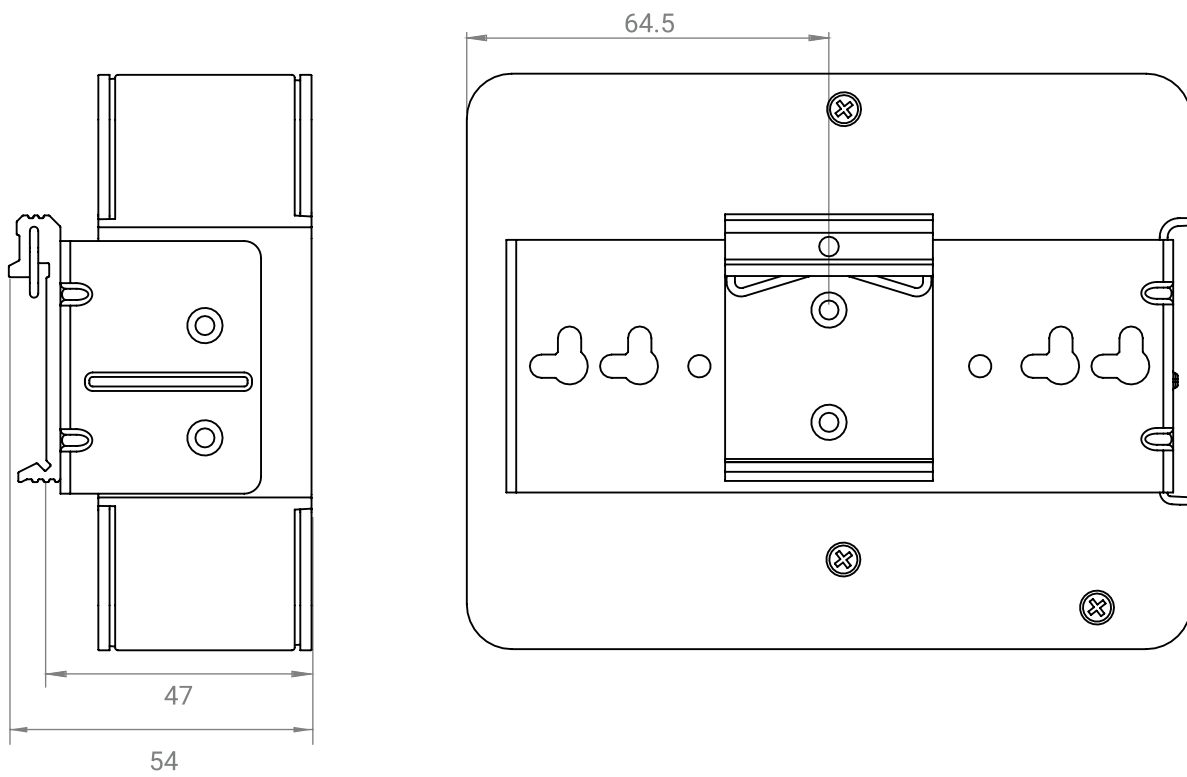




powered by: Alpha Epsilon Automation

## Dimensional Drawings

All measurements in mm



### Office

Phone: +1 571.248.9422 | Email: [service@alpha-epsilon-automation.com](mailto:service@alpha-epsilon-automation.com)

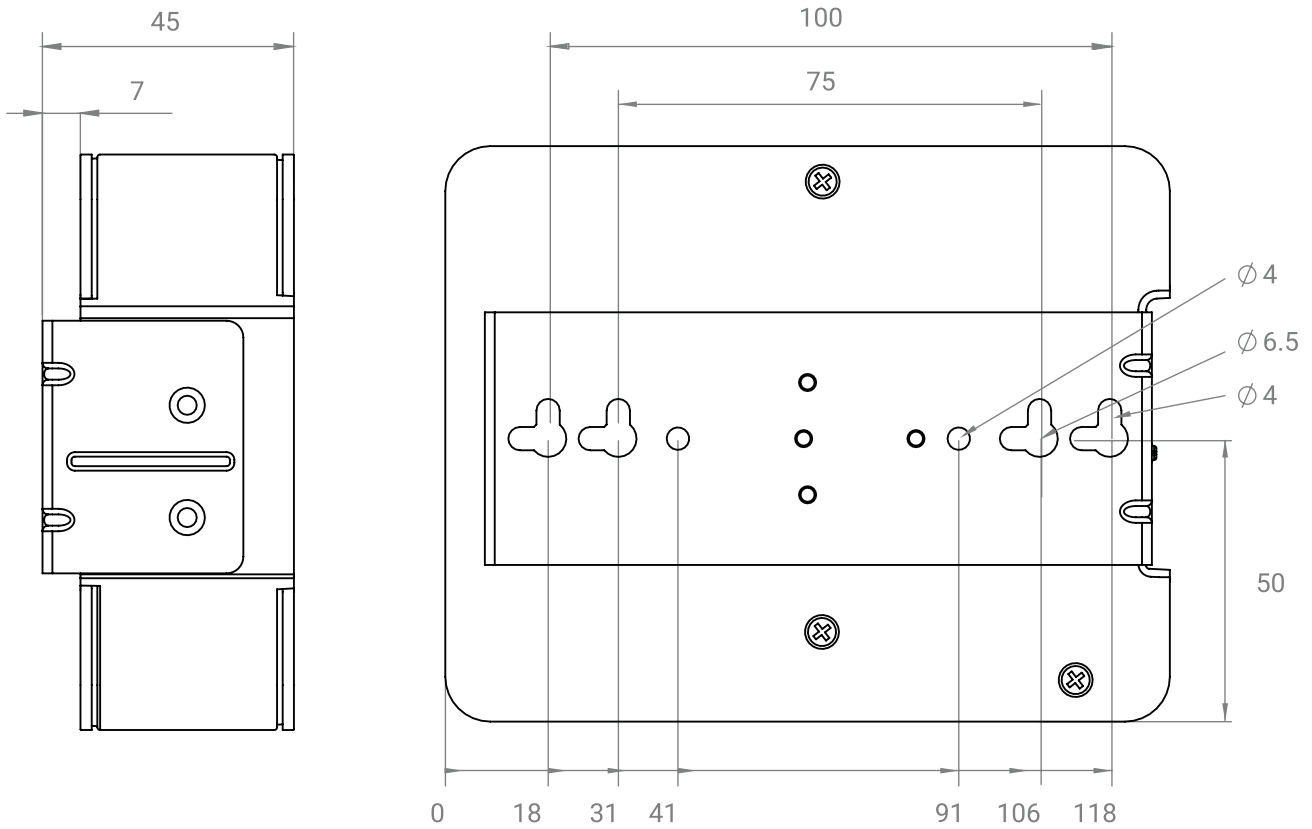




powered by: Alpha Epsilon Automation

## Dimensional Drawings

All measurements in mm



### Office

Phone: +1 571.248.9422 | Email: [service@alpha-epsilon-automation.com](mailto:service@alpha-epsilon-automation.com)

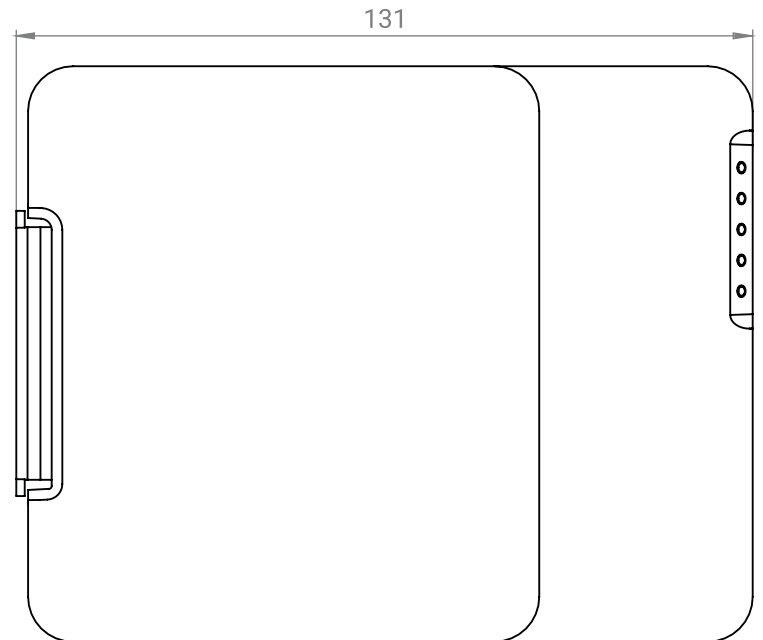
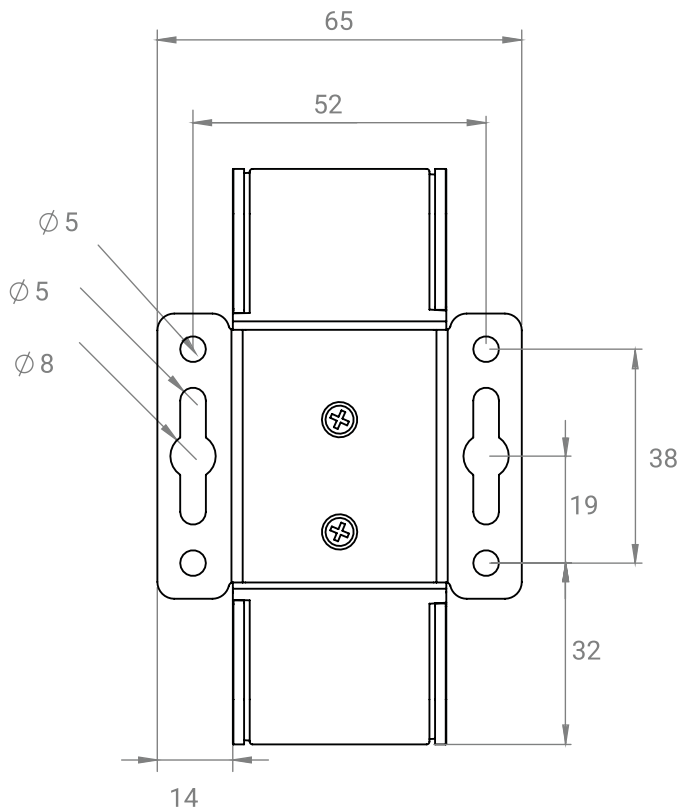




powered by: Alpha Epsilon Automation

## Dimensional Drawings

All measurements in mm



### Office

Phone: +1 571.248.9422 | Email: [service@alpha-epsilon-automation.com](mailto:service@alpha-epsilon-automation.com)

